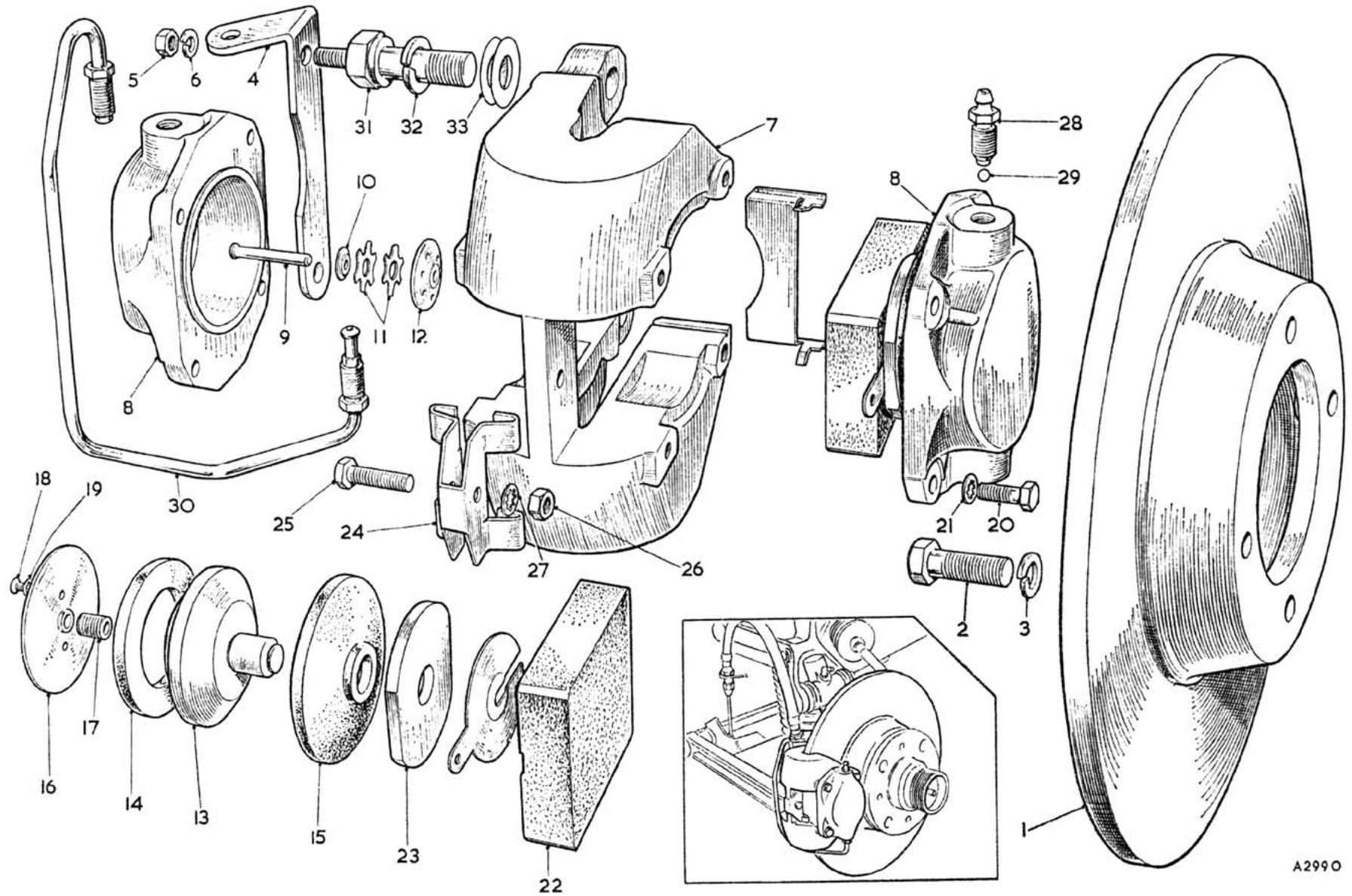


A2915

SERVICE PARTS LIST

THE M.G. Series MGA TWIN CAM

| Item No.                         | DESCRIPTION                    | Commencing (C) 501 |            | Qty. per Vehicle |     | Unit of Issue | Type of Vehicle | MODIFICATIONS   |              |           | REMARKS        |
|----------------------------------|--------------------------------|--------------------|------------|------------------|-----|---------------|-----------------|-----------------|--------------|-----------|----------------|
|                                  |                                | Part Number        | Illus. No. | RHD              | LHD |               |                 | New Part Number | Change Point | Amdt. No. |                |
| <b>FRONT AXLE AND SUSPENSION</b> |                                |                    |            |                  |     |               |                 |                 |              |           |                |
| 1                                | Front suspension assembly—R.H. | N.S.P.             |            | 1                | 1   |               |                 |                 |              |           |                |
| 2                                | Front suspension assembly—L.H. | N.S.P.             |            | 1                | 1   |               |                 |                 |              |           |                |
| 3                                | Steering knuckle—R.H.          | ATB4232            | K1         | 1                | 1   |               |                 |                 |              |           |                |
| 4                                | Steering knuckle—L.H.          | ATB4233            |            | 1                | 1   |               |                 |                 |              |           |                |
| 5                                | Pin—swivel—R.H.                | ATB4218            | K2         | 1                | 1   |               |                 |                 |              |           |                |
| 6                                | Pin—swivel—L.H.                | ATB4219            |            | 1                | 1   |               |                 |                 |              |           |                |
| 7                                | Link—swivel pin—lower—R.H.     | ATB4212            | K3         | 1                | 1   |               |                 |                 |              |           |                |
| 8                                | Link—swivel pin—lower—L.H.     | ATB4213            |            | 1                | 1   |               |                 |                 |              |           |                |
| 9                                | Bush                           | ACG6005            | K4         | 2                | 2   |               |                 |                 |              |           |                |
| 10                               | Plate                          | ACA4010            | K5         | 2                | 2   |               |                 |                 |              |           |                |
| 11                               | Link swivel pin upper—R.H.     | ATB4208            | K6         | 1                | 1   |               |                 |                 |              |           |                |
| 12                               | Link swivel pin upper—L.H.     | ATB4209            |            | 1                | 1   |               |                 |                 |              |           |                |
| 13                               | Bush                           | ACG6005            | K7         | 2                | 2   |               |                 |                 |              |           |                |
| 14                               | Plate                          | ACA4010            | K8         | 2                | 2   |               |                 |                 |              |           |                |
| 15                               | Seal for swivel pin            | ACG4030            | K9         | 4                | 4   |               |                 |                 |              |           |                |
| 16                               | Lever—steering—R.H.            | ATB4258            | K10        | 1                | 1   |               |                 |                 |              |           |                |
| 17                               | Lever—steering—L.H.            | ATB4259            |            | 1                | 1   |               |                 |                 |              |           |                |
| 18                               | Key for steering lever         | WKN506             | K11        | 2                | 2   |               |                 |                 |              |           |                |
| 19                               | Nut for steering lever         | LNZ110             | K12        | 2                | 2   |               |                 |                 |              |           |                |
| 20                               | Nut for steering lever         | LNZ210             |            | 2                | 2   |               |                 |                 |              |           | ] Alternatives |
| 21                               | Washer for nut (plain)         | PWZ110             | K13        | 2                | 2   |               |                 |                 |              |           |                |
| 22                               | Hub assembly—R.H.              | ATB4236            | K14        | 1                | 1   |               |                 |                 |              |           |                |
| 23                               | Hub assembly—L.H.              | ATB4237            |            | 1                | 1   |               |                 |                 |              |           |                |
| 24                               | Seal—oil                       | 8G555              | K15        | 2                | 2   | 12            |                 |                 |              |           |                |
| 25                               | Distance washer—hub            | ACF4001            | K16        | 2                | 2   |               |                 |                 |              |           |                |
| 26                               | Collar for oil seal            | ATB4243            | K17        | 2                | 2   |               |                 |                 |              |           |                |
| 27                               | Bearing for hub (inner)        | 1B4399             | K18        | 2                | 2   |               |                 |                 |              |           |                |
| 28                               | Spacer for bearing             | ATB4239            | K19        | 2                | 2   |               |                 |                 |              |           |                |
| 29                               | Bearing for hub (outer)        | ATB4238            | K20        | 2                | 2   |               |                 |                 |              |           |                |
| 30                               | Shim for bearing (-003")       | ATB4240            | K21        | A/R              | A/R |               |                 |                 |              |           |                |
| 31                               | Shim for bearing (-005")       | ATB4241            |            | A/R              | A/R |               |                 |                 |              |           |                |
| 32                               | Shim for bearing (-010")       | ATB4242            |            | A/R              | A/R |               |                 |                 |              |           |                |
| 33                               | Washer—bearing retaining       | 1A4742             | K22        | 2                | 2   |               |                 |                 |              |           |                |
| 34                               | Nut—bearing retaining          | 51K330             | K23        | 2                | 2   |               |                 |                 |              |           |                |
| 35                               | Cup—grease-retaining           | ATB4245            | K24        | 2                | 2   |               |                 |                 |              |           |                |



A2990

SERVICE PARTS LIST

THE M.G. Series MGA TWIN CAM

| Item No. | DESCRIPTION                                | Commencing (C) 501 |            | Qty. per Vehicle |        | Unit of Issue | Type of Vehicle | MODIFICATIONS    |                      |           | REMARKS   |
|----------|--|--------------------|------------|------------------|--------|---------------|-----------------|------------------|----------------------|-----------|---|
|          |  | Part Number        | Illus. No. | RHD              | LHD    |               |                 | New Part Number  | Change Point         | Amdt. No. |   |
|          | <b>Front Axle and Suspension—continued</b> |                    |            |                  |        |               |                 |                  |                      |           |   |
| 1        | Disc—brake                                 | ATB4244            | KA1        | 2                | 2      |               |                 |                  |                      |           |   |
| 2        | Bolt—brake disc to hub                     | ATB4247            | KA2        | 8                | 8      |               |                 |                  |                      |           |   |
| 3        | Washer for bolt (spring)                   | LWZ207             | KA3        | 8                | 8      |               |                 |                  |                      |           |   |
| 4        | Bracket—hose—R.H.                          | ATB4256            | KA4        | 1                | 1      |               |                 |                  |                      |           |   |
| 5        | Bracket—hose—L.H.                          | ATB4257            |            | 1                | 1      |               |                 |                  |                      |           |   |
| 6        | Nut for bracket                            | FNZ105             | KA5        | 4                | 4      |               |                 |                  |                      |           |   |
| 7        | Washer for nut (spring)                    | LWZ205             | KA6        | 4                | 4      | 24            |                 |                  |                      |           |   |
| 8        | Calliper unit assembly—R.H.                | ATB4266            |            | 1                | 1      |               |                 |                  |                      |           |   |
| 9        | Calliper unit assembly—L.H.                | ATB4267            |            | 1                | 1      |               |                 | BTB134<br>BTB135 | Com. (C) 836 approx. |           |   |
| 10       | Calliper—R.H.                              | 7H8261             | KA7        | 1                | 1      |               |                 |                  |                      |           |   |
| 11       | Calliper—L.H.                              | 7H8261             |            | 1                | 1      |               |                 |                  |                      |           |   |
| 12       | Cylinder assembly                          | 7H8200             |            | 4                | 4      |               |                 | 7H8257           | Com. (C) 836 approx. |           |   |
| 13       | Cylinder                                   |                    | KA8        | 4                | 4      |               |                 |                  |                      |           |   |
| 14       | Pin—retractor                              |                    | KA9        | 4                | 4      |               |                 |                  |                      |           | ] Not supplied separately. Items included in assembly       |
| 15       | Bush—retractor stop                        |                    | KA10       | 4                | 4      |               |                 |                  |                      |           |   |
| 16       | Washer (spring)                            |                    | KA11       | 8                | 8      |               |                 |                  |                      |           |   |
| 17       | Cap  |                    | KA12       | 4                | 4      |               |                 |                  |                      |           |   |
| 18       | Piston assembly                            | 7H8211             |            | 4                | 4      |               |                 | 7H8209           | Com. (C) 836 approx. |           |   |
| 19       | Piston                                     |                    | KA13       | 4                | 4      |               |                 |                  |                      |           | ] Not supplied separately. Items included in kit set 8G8194 |
| 20       | Seal—piston                                |                    | KA14       | 4                | 4      |               |                 |                  |                      |           |   |
| 21       | Seal—dust                                  |                    | KA15       | 4                | 4      |               |                 |                  |                      |           |   |
| 22       | Plate                                      |                    | KA16       | 4                | 4      |               |                 |                  |                      |           |   |
| 23       | Bush—retractor                             | 7H8212             | KA17       | 4                | 4      |               |                 |                  |                      |           |   |
| 24       | Screw—plate to piston                      | AJD4802N           | KA18       | 8                | 8      |               |                 |                  |                      |           |   |
| 25       | Washer for screw (shakeproof)              |                    | KA19       | 8                | 8      |               |                 | 7H8222           | Com. (C) 836 approx. |           |   |
| 26       | Bolt—cylinder to calliper                  | 7H8206             | KA20       | 16               | 16     |               |                 |                  |                      |           |   |
| 27       | Washer for bolt (shakeproof)               | 7H8207             | KA21       | 16               | 16     |               |                 |                  |                      |           |   |
| 28       | Pad assembly—friction                      | 7H8201             | KA22       | 4                | 4      |               |                 |                  |                      |           |   |
| 29       | Plate—support                              | 7H8202             | KA23       | 4                | 4      |               |                 |                  |                      |           |   |
| 30       | Plate—keep                                 | 7H8203             | KA24       | 2                | 2      |               |                 |                  |                      |           |   |
| 31       | Bolt for keep plate                        | 7H8204             | KA25       | 2                | 2      |               |                 | HZS0407          | Com. (C) 836 approx. |           |   |
| 32       | Nut for bolt                               | FNZ104             | KA26       | 2                | 2      |               |                 |                  |                      |           |   |
| 33       | Washer for nut (shakeproof)                | 7H8207             | KA27       | 2                | 2      |               |                 |                  |                      |           |   |
| 34       | Screw—bleed                                | 7H8252             | KA28       | 2                | 2      |               |                 |                  |                      |           |   |
| 35       | Ball for bleed screw                       | BLS106             | KA29       | 2                | 2      |               |                 |                  |                      |           |   |
| 36       | Pipe—bridge—R.H.                           | 7H8205             | KA30       | 1                | 1      |               |                 | 7H8210<br>7H8221 | Com. (C) 836 approx. |           |   |
| 37       | Pipe—bridge—L.H.                           | 7H8208             |            | 1                | 1      |               |                 |                  |                      |           |   |
| 38       | Bolt—calliper to stub axle                 | ATB4255            | KA31       | 4                | 4      |               |                 |                  |                      |           |   |
| 39       | Washer for bolt (spring)                   | LWZ207             | KA32       | 4                | 4      |               |                 |                  |                      |           |   |
| 40       | Shim—calliper to stub axle (.003")         | ATB4251            | KA33       | A/R              | A/R    |               |                 |                  |                      |           |   |
| 41       | Shim—calliper to stub axle (.005")         | ATB4252            |            | A/R              | A/R    |               |                 |                  |                      |           |   |
| 42       | Shim—calliper to stub axle (.020")         | ATB4253            |            | A/R              | A/R    |               |                 |                  |                      |           |   |
| 43       | Kit—calliper repair                        | 8G8194             |            | 2 sets           | 2 sets | 1             |                 |                  |                      |           |   |
| 44       | Seal—piston                                |                    |            | 2                | 2      |               |                 |                  |                      |           |   |
| 45       | Seal—dust                                  |                    |            | 2                | 2      |               |                 |                  |                      |           |   |

SERVICE PARTS LIST

THE M.G. Series MGA TWIN CAM

| Item No. | DESCRIPTION                                     | Commencing (C) 501 |            | Qty. per Vehicle |          | Unit of Issue | Type of Vehicle | MODIFICATIONS   |                 |           | REMARKS                        |
|----------|---|--------------------|------------|------------------|----------|---------------|-----------------|-----------------|-----------------|-----------|--------------------------------|
|          |   | Part Number        | Illus. No. | RHD              | LHD      |               |                 | New Part Number | Change Point    | Amdt. No. |                                |
|          |   |                    |            |                  |          |               |                 |                 |                 |           |                                |
|          | <b>Front Axle and Suspension—continued</b>      |                    |            |                  |          |               |                 |                 |                 |           |                                |
| 1        | Spring pan assembly .....                       | 126905             | K25        | 2                | 2        |               |                 | AHH5925         | Com. (C) 2275   |           |                                |
| 2        | Wishbone assembly (bottom) .....                | 126908             | K26        | 4/2              | 4/2      |               |                 |                 |                 |           | Quantity reduced at (C) 2275   |
| 3        | Wishbone assembly—bottom front—R.H. ....        |                    |            | 1                | 1        |               |                 | AHH5927         | ] Com. (C) 2275 |           |                                |
| 4        | Wishbone assembly—bottom front—L.H. ....        |                    |            | 1                | 1        |               |                 | AHH5929         |                 |           |                                |
| 5        | Screw—spring pan to wishbone .....              | HZS0507            | K27        | 4/2              | 4/2      |               |                 |                 |                 |           | Quantity reduced at (C) 2275   |
| 6        | Screw—spring pan to wishbone .....              | HZS0508            | K28        | 4                | 4        |               |                 |                 |                 |           |                                |
| 7        | Nut for screw .....                             | FNZ105             | K29        | 8/6              | 8/6      |               |                 |                 |                 |           | ] Quantity reduced at (C) 2275 |
| 8        | Washer for nut (spring) .....                   | LWZ205             | K30        | 8/6              | 8/6      | 24            |                 |                 |                 |           |                                |
| 9        | Distance tube—lower link .....                  | 126900             | K31        | 2                | 2        |               |                 |                 |                 |           |                                |
| 10       | Washer for lower link (thrust) .....            | 127657             | K32        | 4                | 4        |               |                 |                 |                 |           |                                |
| 11       | Seal—link .....                                 | 126902             | K33        | 4                | 4        |               |                 |                 |                 |           |                                |
| 12       | Support for link seal .....                     | 126903             | K34        | 4                | 4        |               |                 |                 |                 |           |                                |
| 13       | Bolt—bottom wishbone to link .....              | AHH4001            | K35        | 2                | 2        |               |                 |                 |                 |           |                                |
| 14       | Nut for bolt .....                              | FNZ308             | K36        | 2                | 2        |               |                 |                 |                 |           |                                |
| 15       | Washer for nut (spring) .....                   | LWZ208             | K37        | 2                | 2        |               |                 |                 |                 |           |                                |
| 16       | <b>Pivot—bottom wishbone</b>                    | <b>AHH4003</b>     | <b>K38</b> | <b>2</b>         | <b>2</b> |               |                 |                 |                 |           |                                |
| 17       | Bolt—pivot to member .....                      | ACB5255            | K39        | 8                | 8        |               |                 |                 |                 |           |                                |
| 18       | Washer for front bolt (fitted under head) ..... | PWZ106             | K40        | 2                | 2        |               |                 |                 |                 |           |                                |
| 19       | Nut for bolt .....                              | LNZ106             | K41        | 8                | 8        |               |                 |                 |                 |           |                                |
| 20       | Washer for nut (spring) .....                   | LWZ206             | K42        | 8                | 8        |               |                 |                 |                 |           |                                |
| 21       | Bush—bottom wishbone .....                      | 126914             | K43        | 8                | 8        |               |                 |                 |                 |           |                                |
| 22       | Washer for wishbone pivot .....                 | 126915             | K44        | 4                | 4        |               |                 |                 |                 |           |                                |
| 23       | Nut for wishbone pivot .....                    | FNZ408             | K45        | 4                | 4        |               |                 |                 |                 |           |                                |
| 24       | <b>Spring—coil</b>                              | <b>AHH5789</b>     | <b>K46</b> | <b>2</b>         | <b>2</b> |               |                 |                 |                 |           |                                |
| 25       | Spigot—coil spring .....                        | AHH5897            | K47        | 2                | 2        |               |                 |                 |                 |           |                                |
| 26       | Screw—spigot to cross-member .....              | CMZ0418            | K48        | 4                | 4        |               |                 |                 |                 |           |                                |
| 27       | Nut for bolt .....                              | FNZ104             | K49        | 4                | 4        |               |                 |                 |                 |           |                                |
| 28       | Washer for nut (spring) .....                   | LWZ204             | K50        | 4                | 4        | 12            |                 |                 |                 |           |                                |
| 29       | <b>Absorber—shock</b>                           | <b>AHH4004</b>     | <b>K51</b> | <b>2</b>         | <b>2</b> |               |                 |                 |                 |           |                                |
| 30       | Stud—shock absorber to cross-member .....       | AHH5070            | K52        | 8                | 8        |               |                 |                 |                 |           |                                |
| 31       | Nut for stud .....                              | FNZ106             | K53        | 8                | 8        |               |                 |                 |                 |           |                                |
| 32       | Washer for nut (spring) .....                   | LWZ206             | K54        | 8                | 8        |               |                 |                 |                 |           |                                |
| 33       | Bolt—shock absorber to link .....               | AHH4002            | K55        | 2                | 2        |               |                 |                 |                 |           |                                |
| 34       | Nut for bolt .....                              | FNZ308             | K56        | 2                | 2        |               |                 |                 |                 |           |                                |
| 35       | Washer for nut (spring) .....                   | LWZ208             | K57        | 2                | 2        |               |                 |                 |                 |           |                                |
| 36       | Distance tube—upper link .....                  | 126900             | K58        | 2                | 2        |               |                 |                 |                 |           |                                |
| 37       | Washer for upper link (thrust) .....            | 127657             | K59        | 4                | 4        |               |                 |                 |                 |           |                                |
| 38       | Seal for upper link .....                       | 126902             | K60        | 4                | 4        |               |                 |                 |                 |           |                                |
| 39       | Support for seal .....                          | 126903             | K61        | 4                | 4        |               |                 |                 |                 |           |                                |
| 40       | Lubricator for link .....                       | UHN405             | K62        | 4                | 4        |               |                 |                 |                 |           |                                |
| 41       | <b>Rubber—check</b>                             | <b>500822</b>      | <b>K63</b> | <b>2</b>         | <b>2</b> |               |                 |                 |                 |           |                                |
| 42       | Distance piece for check rubber .....           | 500823             | K64        | 2                | 2        |               |                 |                 |                 |           |                                |
| 43       | Screw—check rubber to cross-member .....        | HZS0504            | K65        | 2                | 2        |               |                 |                 |                 |           |                                |
| 44       | Washer for screw (spring) .....                 | LWZ205             | K66        | 2                | 2        | 24            |                 |                 |                 |           |                                |
| 45       | Bolt—check rubber to cross-member .....         | HBZ0512            | K67        | 4                | 4        |               |                 |                 |                 |           |                                |
| 46       | Nut for bolt .....                              | FNZ105             | K68        | 4                | 4        |               |                 |                 |                 |           |                                |
| 47       | Washer for nut (spring) .....                   | LWZ205             | K69        | 4                | 4        | 24            |                 |                 |                 |           |                                |

SERVICE PARTS LIST

THE M.G. Series MGA TWIN CAM

| Item No. | DESCRIPTION                         | Commencing (C) 501 |            | Qty. per Vehicle |     | Unit of Issue | Type of Vehicle | MODIFICATIONS   |               |           | REMARKS |
|----------|-------------------------------------|--------------------|------------|------------------|-----|---------------|-----------------|-----------------|---------------|-----------|---------|
|          |                                     | Part Number        | Illus. No. | RHD              | LHD |               |                 | New Part Number | Change Point  | Amdt. No. |         |
|          | Front Axle and Suspension—continued |                    |            |                  |     |               |                 |                 |               |           |         |
| 1        | Link—anti-roll bar—R.H.             |                    | K70        | 1                | 1   |               |                 | AHH5931         | Com. (C) 2275 |           |         |
| 2        | Link—anti-roll bar—L.H.             |                    |            | 1                | 1   |               |                 | AHH5932         |               |           |         |
| 3        | Nut—link to spring pan              |                    | K71        | 2                | 2   |               |                 | FNZ108          |               |           |         |
| 4        | Washer for nut (spring)             |                    | K72        | 2                | 2   |               |                 | LWZ208          |               |           |         |
| 5        | Bar assembly—anti-roll              |                    | K73        | 1                | 1   |               |                 | AHH5940         |               |           |         |
| 6        | Bush                                |                    | K74        | 2                | 2   |               |                 | AHH5939         |               |           |         |
| 7        | Bolt—link to bar                    |                    | K75        | 2                | 2   |               |                 | AHH5941         |               |           |         |
| 8        | Nut for bolt                        |                    | K76        | 2                | 2   |               |                 | LNZ107          |               |           |         |
| 9        | Washer for nut (plain)              |                    | K77        | 2                | 2   |               |                 | PWZ107          |               |           |         |
| 10       | Bush—anti-roll bar                  |                    | K78        | 2                | 2   |               |                 | AHH5934         |               |           |         |
| 11       | Housing for bush                    |                    | K79        | 2                | 2   |               |                 | AHH5935         |               |           |         |
| 12       | Screw—housing to member             |                    | K80        | 4                | 4   |               |                 | HZS0505         |               |           |         |
| 13       | Nut for screw                       |                    | K81        | 4                | 4   |               |                 | FNZ105          |               |           |         |
| 14       | Washer for nut (spring)             |                    | K82        | 4                | 4   | 24            |                 | LWZ205          |               |           |         |